

Product Information



BRETFORD MANUFACTURING, INC.
11000 Seymour Avenue
Franklin Park, Illinois 60131 USA

Phone: 847.678.2545
Toll-Free Phone: 800.521.9614
Fax: 847.678.0852
Toll-Free Fax: 800.343.1779
www.bretford.com

AOH2741-P4 Overhead Projector Table



FEATURES & BENEFITS

- Ideal for any presentation by quickly adapting to stand up or sit down applications
- Sturdy worksurface supports your computer and overhead projector
- Features worksurface which adjusts from 27" to 41" H in 2" increments
- Projector well is also adjustable from 5" to 11" in 1/2" increments
- Easy adjustability, simply reset five screws
- Convenient storage space below projector well holds papers and overheads for easy access
- Smooth rolling 4" hard rubber casters, two lock
- Durable all-steel construction finished in black powder paint
- Optional C-UL and UL-listed 2-outlet electrical assembly with 20 foot extension cord and winder

DIMENSIONS

- Overall: 37" W x 22½" D x 27-41" H
- Projector Well: 17½" W x 20½" D
- Shelf/Drawer: 17^{11/16}" W x 18^{3/8}" D x 4" H

COLOR/FINISH

- Black powder paint

Product Specifications

AOH2741-P4 ADJUSTABLE OVERHEAD PROJECTOR TABLE

Bretford's AOH2741-P4 Adjustable Overhead Projector Table can make presentations easier and more professional looking. The adjustable writing surface and projector well lets the presenter choose a comfortable working height. The writing surface is adjustable to 8 different settings at 2" increments from 27" H to 41" H. Four different settings of the projector well (from 5" to 11" in 1/2" increments) permits the use of most projectors and permits storage of presentation materials.

STANDARD EQUIPMENT

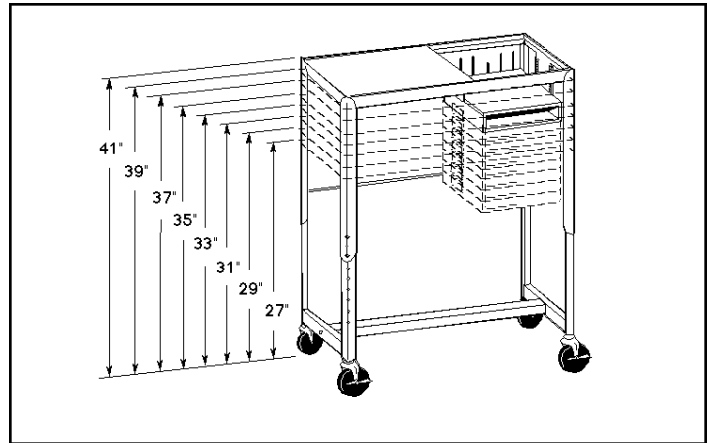
37" W x 22 1/2" D table with projector well, top section H-frame, bottom section
1" round plastic caster inserts (4)
4" diameter casters (4), 2 with locking brakes
Plastic bag with all necessary hardware for assembly

ACCESSORIES

E-Unit Electrical assembly with 2 grounded outlets, 20 ft. grounded extension cord. UL listed when mounted on table.
ES-Unit Electrical assembly with 3 grounded outlets, 20 ft. grounded extension cord. UL listed when mounted on table.
044-0025 5" caster pack for use on deep carpet and for easier movement (can substitute for 4").

WEIGHT AND FREIGHT CLASS

64 pounds, Freight class: 85.
Ships UPS, ready to assemble in one carton pack.



SUGGESTED SPECIFICATIONS

AOH2741 Adjustable Overhead Projector Table has one (1) 20-gauge steel shelf, 37" W x 22 1/2" D. Shelf is press formed so that a 1/8" lip borders the top surface on all four sides. Surface is divided into two parts: a 17 1/2" writing surface and a 17 1/2" adjustable projector shelf. Four (4) 14-gauge steel legs, 20 1/4" in length, are welded to the shelf at each corner. Each leg has four (4) 1/4" diameter holds down the center so it accepts a 1/4" 20 machine screw. The holes are spaced 2" apart to permit table adjustments of 27", 29", 31", 33", 35", 37", 39" and 41" in height. Adjustable projector shelf can be lowered in 1/2" increments from 5", 5 1/2", 6", 6 1/2", 7", 7 1/2", 8", 8 1/2", 9", 9 1/2", 10", 10 1/2" and 11" positions that will accommodate different sizes of overhead projector models. Projector shelf is fastened to the top shelf on three (3) sides: at the back, outside of shelf on right, and to the writing surface on the left side. Table shall have one (1) 20-gauge steel 36" W x 18" H modesty panel that is attached between the rear legs. Adjustable projector table has one (1) 14-gauge steel, welded "H" frame assembly. Four (4) 14-gauge steel legs, 19" in length, are welded to the "H" frame. Each leg has one (1) 1/4" diameter hole spaced 2" from the top and in the center so it allows eight (8) height adjustments (as noted above). Arc welded caster socket with a hard plastic caster insert is secured to the legs. Casters are mar-resistant Black hard rubber and are 4" in diameter. Each caster assembly has ball bearing swivel capabilities and steel construction. Two (2) have locking brakes. Optional electrical assembly is completely enclosed with two (2) grounded outlets, 20' 3-wire cord and two (2) 3/16" diameter machine screws with wing nuts for attaching unit to the table. Optional electrical assembly is C-UL and UL listed when attached. Table ships ready to assemble (K.D.) in one (1) carton pack, 24.5" W x 38.5" H x 20" D.

BRETTFORD MANUFACTURING, INC.
11000 Seymour Avenue
Franklin Park, Illinois 60131 USA
www.bretford.com

Phone: 847.678.2545
Fax: 847.678.0852

Toll-Free Phone: 800.521.961
Toll-Free Fax: 800.343.1779